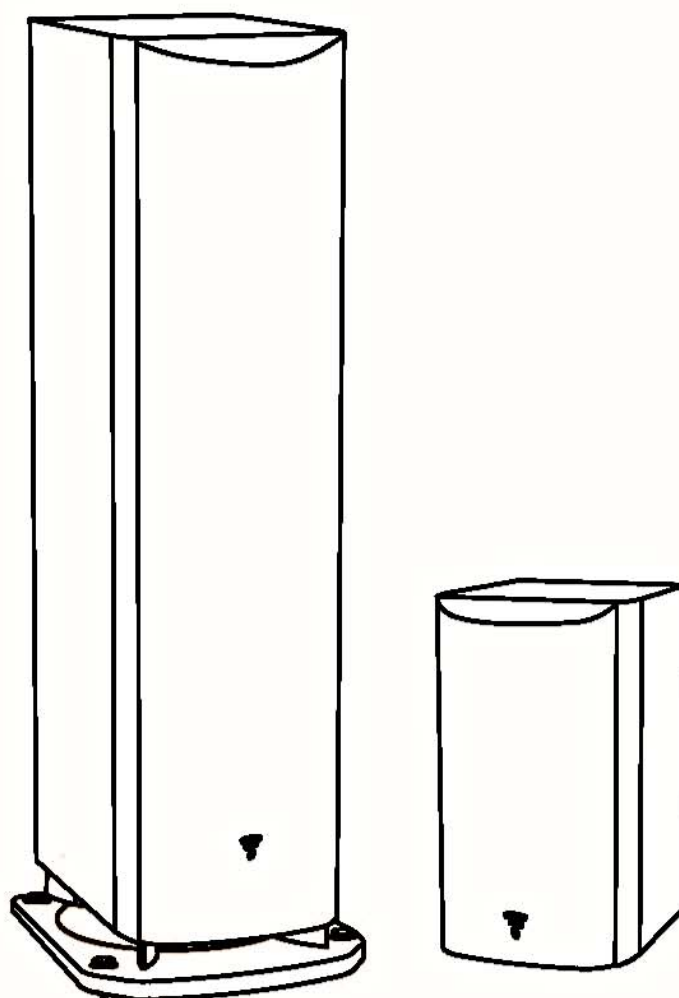


ARIA 900[®] serie

User manual / Manuel d'utilisation



English page 5
Français page 14

ARIA 900® SERIE

User manual/Manuel d'installation

3

F

Nous vous remercions d'avoir choisi les enceintes Focal et de partager avec nous notre philosophie "the Spirit of Sound". Ces enceintes de haute technicité intègrent les ultimes perfectionnements Focal en matière de conception de haut-parleurs pour la haute fidélité et le home cinéma. Afin d'exploiter toutes leurs performances, nous vous conseillons de lire les instructions de ce livret puis de le conserver avec précaution pour vous y référer ultérieurement.

GB

Thank you for choosing Focal loudspeakers. We are pleased to share with you our philosophy : "the Spirit of Sound". These high-performance speakers feature the latest technical developments from Focal in terms of speaker design, whether it is for high fidelity or home theater systems. In order to enjoy the maximum of their performance, we advise you to read this user's manual and to keep it carefully so that you can consult it later.

ES

Gracias por elegir sistemas de altavoces de Focal. Nos complace compartir con usted nuestra filosofía: "The Spirit of Sound". Estos sistemas de altavoces de altas prestaciones de Focal se caracterizan por estar dotados de los últimos avances tecnológicos de Focal en términos de diseño, tanto para sistemas de alta fidelidad como de Home Cinema. Con el objetivo de que disfrute al máximo de las prestaciones de los equipos le recomendamos lea este manual detenidamente y conserve el mismo para futuras consultas.

I

Grazie per aver scelto i diffusori acustici Focal. Siamo felici di condividere con voi la nostra filosofia: "The Spirit of Sound". Questi diffusori ad alte prestazioni adottano gli ultimi sviluppi tecnici Focal in termini di design, sia per sistemi hi-fi, sia per home theater. Per godere il massimo delle loro prestazioni, vi invitiamo a leggere questo manuale e conservarlo per future consultazioni.

D

Vielen Dank, dass Sie sich Für Focal lautsprecher entschieden haben. Gerne teilen wir mit Ihnen unsere Philosophie: "The Spirit of Sound. Was das design von HiFi Und Heimkinosystemen anbelangt, bieten diese Hochleistungslautsprecher den neuesten technischen Stand von Focal. Um diese lautsprecher voll nutzen und ihre Maximalleistung genießen zu können, sollten Sie das Benutzerhandbuch sorgfältig lesen und für die spätere Einsichtnahme gut aufbewarhen.

RU

Благодарим Вас за выбор продукции компании Focal. Мы с удовольствием делимся с Вами нашей философией: «Душа звука». При изготовлении наших громкоговорителей используются самые передовые технологии разработанные компанией Focal, отличительной чертой нашей продукции является передовой дизайн и способность работать превосходно как в системах класса Hi-Fi, так и в домашнем кинотеатре. Для того чтобы ощутить максимум возможностей превосходства нашей продукции мы советуем вам внимательно ознакомиться с руководством пользователя и сохранить его, так как оно может пригодиться вам в будущем.

CN

祝贺和感谢您购买法国 Aria 900 扬声器。我们很高兴能与您分享我们的理念：「声音的热情追求，音乐的极限发挥」。无论是高品质音响或家庭影院系统，这高性能扬声器俱备Focal最新技术发展音箱设计和声音放大技术，高品质音响或家庭影院系统均有出色表现。为了能享受产品的最佳表现，我们建议您阅读本用户手册，并妥善保存以便您随时参考。

ARIA 900® SERIE

User manual/Manuel d'installation

4

J

この度は、フォーカルスピーカーをお買い上げいただき、有り難うございます。"スピリットオブサウンド" (サウンドの精神) という私たちの哲学を共有していただけたことに感謝申し上げます。

ハイファイ、ホームシアターシステム用に設計された高性能スピーカーには、スピーカー設計のフォーカルの最新技術を投入しております。最高のパフォーマンスで楽しんでいただくために、同梱のユーザーマニュアルを良くお読みください。また、後々参照していただけるようにマニュアルを大切に保管されることをおすすめいたします。

KR

Focal 스피커를 구입해주셔서 감사합니다.

우리의 철학인 "The spirit of Sound"를 공유하게 되어서 기쁘게 생각합니다.

본 제품은 뛰어난 성능과 디자인 면에서 Focal의 최신 기술을 사용해 개발했습니다.

본 제품을 최대한 즐길 수 있게, 설명서를 읽어주시고 후에 참조할 수 있도록 보관해 주십시오.

AR

- شكرا لتعلمك بإختيار مكبرات الصوت Focal. يسرنا أن نتشارك معك بفلسفتنا: "حيوية الصوت" تجر مكبرات الصوت عالية الأداء هذه عن أحدث التطورات التقنية في شركة Focal من ناحية التصميم سواء كلفت للأداء عالي الأمانة أو أنظمة المسرح المنزلي. كي تتمكن من الاستمتاع بالأداء إلى الحد الأقصى، ننصحك بقراءة كتيب المستخدم والاحتفاظ به للرجوع إليه مستقبلا

- تم تصنيع وتطوير منتج Focal-Jmlab من مواد ومكونات عالية الجودة وقابلة لإعادة التدوير وأور إعادة الاستخدام. يعني هذا الرمز أن التجهيزات الكهربائية والإلكترونية يجب التخلص منها بشكل منفصل عن القمامة العادية عند انتهاء عمرها التشغيلي. يرجى التخلص من هذا المنتج عبر نقله إلى نقطة الجمع المطبقة أو مركز إعادة للتدوير المخصص لهذا النوع من الأجهزة. سيساعد ذلك في عملية البيئة التي نعيش جميعنا فيها.

ARIA 900® SERIE

User manual

English

Breaking your speakers in

The Aria 900 range loudspeakers are complex mechanical assemblies which need a period of adaptation ("break-in") to operate at their best and to become acclimatised to the temperature and humidity conditions of your environment. This break-in period varies depending on the conditions in question and may last for some weeks. To facilitate break-in, we recommend operating the speakers for approximately twenty hours consecutively. Once the loudspeakers' characteristics totally stabilised you will be able to enjoy your Aria 900's performance to the full.

Carton contents:

- 1 loudspeaker (905, 906 ; 2 loudspeakers)
- 1 user manual
- 1 cleaning cloth (Black High Gloss finish)
- 1 spike adjustment spanner (926, 936, 948)
- 1 aluminium alloy plinth (926, 936, 948)
- 4 screws + Allen key (926, 936, 948)
- 1 wall mounting kit Polyfix (SR900)

Please validate your Focal-JMLab® guarantee by returning the guarantee form enclosed within 10 days.

Specifications

Aluminium/magnesium alloy inverted dome® TNF Tweeter : the tweeter developed for the Aria 900 range uses Focal exclusive inverted dome technology, for optimal energy transfer and limited directivity. The dome's aluminium/magnesium alloy guarantees outstanding stiffness and damping. The mechanical properties of the new suspension system using Poron, an open cell polyurethane microcellular foam, provide numerous benefits: excellent dimensional stability and no degradation over time. The advantages of the use of Poron in this tweeter are obvious in terms of linearity and distortion reduction. This leads to a silkier, more precise sound with greater harmonic richness. The tweeter mounting has an integral waveguide which maximises horizontal directivity and minimises diffraction.

Flax® cone midrange and bass drivers: every loudspeaker in the Aria range is made using Flax sandwich technology. Flax® is an eco-textile with astounding structural properties: it is light, stiff and well damped, for greater neutrality of timbres and better definition.

Magnetic front grille: easy to fit; more modern design.

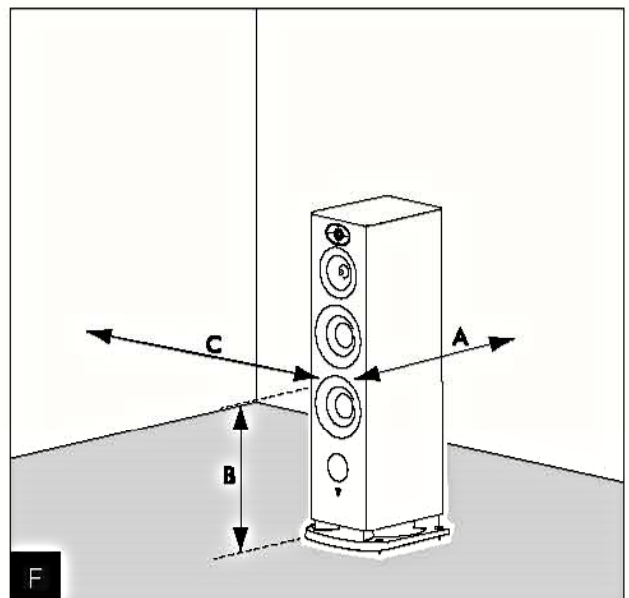
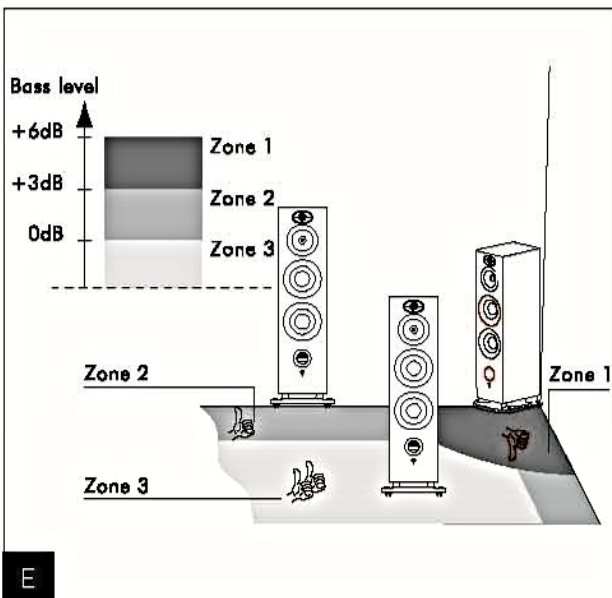
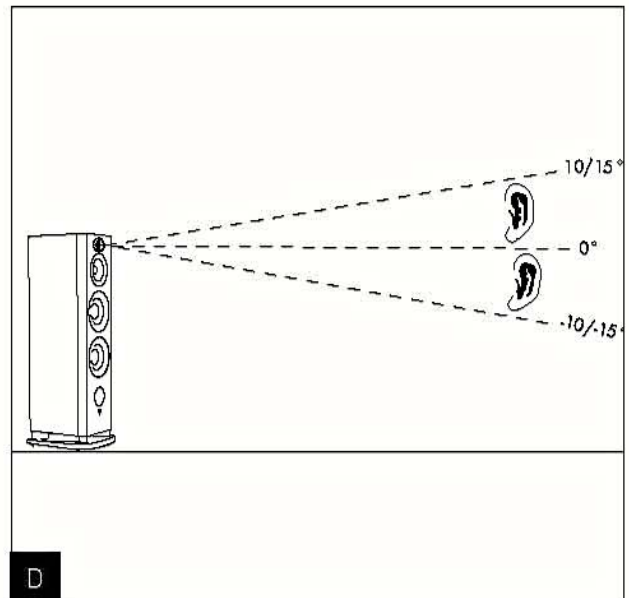
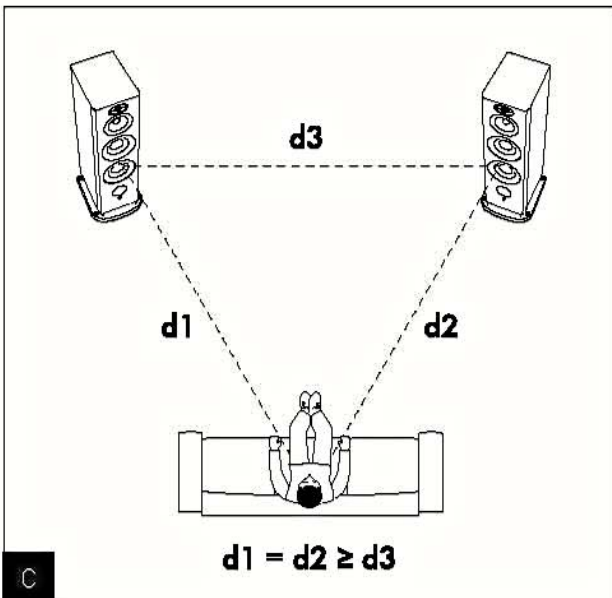
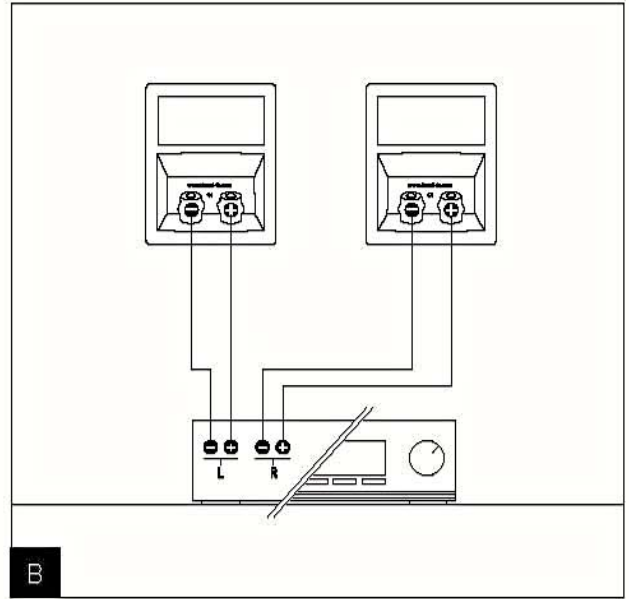
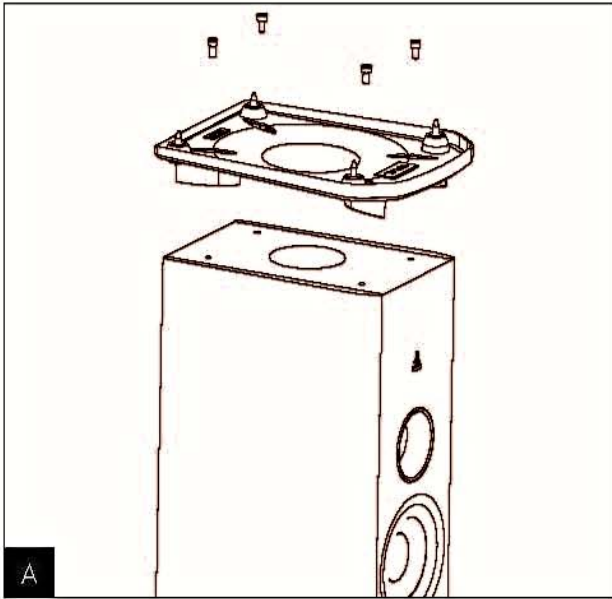
Powerflow System : port tube air speed cut by half compared to traditional technology. No bass dynamic compression.

Profiled vent: powerful, distortion-free bass.

High-efficiency acoustic wadding: excellent internal damping, sustained, deeper bass.

High-torque, reliable multi-purpose cable connections.

Decoupling spikes included.



ARIA 900® SERIE

User manual

7

Attaching the base to the cabinet (926, 936, 948)

To attach the base to the cabinet, firstly turn the cabinet over so that it is resting on its top (on the packaging padding), taking care not to damage the cabinet-work, glass top-plate or speaker cones when carrying out this operation. Position the base on the cabinet and screw in the four screws provided. Tighten the screws using the Allen key *(fig. A)*.

Connections

The Aria 900 connectors provide reliable, multi-purpose contacts for stripped cables (up to 4 mm diameter) or fork terminals. Banana jacks are covered for compliance with electrical and connection standards in force in some countries. Do not remove the plastic covers.

It is essential to connect the loudspeakers using the correct polarity. The connector marked "+" must be connected to the matching output on the amplifier and the connector marked "-" must be connected to the negative terminal *(fig. B)*. If the loudspeakers are connected with incorrect polarity there will be considerable degradation to both the stereo image and the audio perception of bass.

Where to position your loudspeakers

Your Aria 900 loudspeakers have been designed to reproduce as faithfully as possible every kind of music and home cinema programme. Nonetheless, it makes sense to follow some simple rules to optimise their performance and to guarantee good tonal balance and a realistic sound stage.

The loudspeakers should be positioned symmetrically, facing the listening area, ideally forming an equilateral triangle with it. It is, however, possible to vary these distances to arrive at the ideal compromise for any particular conditions *(fig. C)*.

The loudspeakers should be positioned at the same height, in the same horizontal plane. Ideally, the tweeter should be positioned at the same height as the listener's ear when listening normally *(fig. D)*.

Do not position your loudspeakers too close to a corner of the room and do not place them too close to a wall. If they are positioned close to a wall or a corner this has the effect of exciting certain resonances within the room and artificially increasing the bass. Conversely, if the bass level is judged to be insufficient, you could try moving the loudspeakers nearer a wall to re-balance the bass level *(fig. E)*.

Optimisation

For perfectionists, here is the formula for optimal positioning:

If **A** is the distance from the centre of the woofer to the nearest floor or wall, **B** is the distance to the next closest floor or wall and **C** the greatest distance ($A < B < C$), the equation $B^2 = AC$ defines the ideal loudspeaker position.

• **For example:**

If the centre of the woofer is 50 cm away from the back wall (A) and 60 cm from the floor (B), then the side wall will ideally be 72 cm away ($C = B^2/A = 72 \text{ cm}$) *(fig. F)*.

Recommendations for use

The behaviour of Aria 900 loudspeakers depends on the acoustics in the listening room, on the correct positioning of the loudspeakers within the room and on the position of the listener. It is possible to work these elements together to correct or improve a desired effect.

Stereo perception is imprecise and poorly centred : try moving the loudspeakers closer to one another and/or have them facing the listening point

Sound is harsh, aggressive : the acoustic in your listening room probably has too many reverberations. Consider using sound softening (carpets, upholstered furniture, wall hangings, curtains, etc.) and sound reflecting materials (furniture) to absorb or diffuse resonance.

Sound is "flat", "strangled": there are too many sound absorbent items in the room, the sound is soaked up, it has no relief. Look for the best compromise between sound absorbing and sound reflecting materials in your room.

In general terms, it is good to aim for the wall behind the loudspeakers being reflective for the sound to develop correctly. The wall behind the listening position, on the other hand, is ideally sound absorbing to avoid rear reflections "contaminating" the stereo image. Furniture can be judiciously placed near the side walls of the room to diffuse sound waves and ensure certain frequency zones, particularly in the mid-range, are not excited ("flutter echo" suppression).

ARIA 900[®] SERIE

User manual

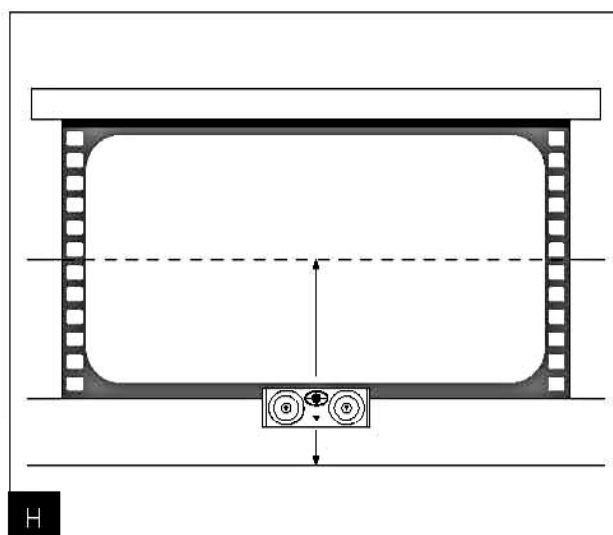
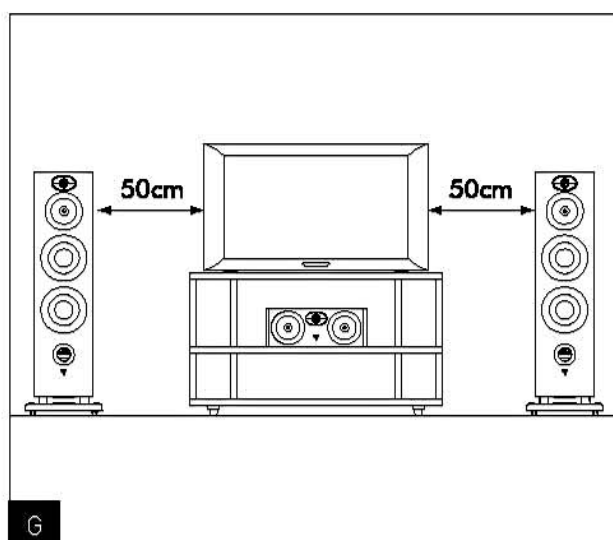
Choice of loudspeakers

Aria 900 loudspeakers have been developed to operate as both stereo and Home Cinema equipment. If you already own some Aria 900 loudspeakers and wish to develop your system into Home Cinema, it is crucial to use Aria 900 centre and surround speakers. This is the only practicable solution that will guarantee perfectly matched timbres and realistic, consistent distribution of 3D effects within the room.

Centre speaker placement

The centre speaker must be positioned near the screen for realistic reproduction of dialogue. It can be placed under the television if there is sufficient room in the TV stand (*fig. G*).

If a standard projection screen is used, the centre speaker should be placed at the foot of the screen for best results. If a microperforated screen is used, it can be positioned behind the screen, towards the bottom half of the screen (*fig. H*).



ARIA 900® SERIE

User manual

Surround speaker placement

The sophistication of film soundtracks, especially those mixed in 5.1, or 7.1 means that a very broad range of surround-sound effects can be achieved nowadays. The choice of positioning for surround speakers is, therefore, crucial for achieving a realistic 3D sound space.

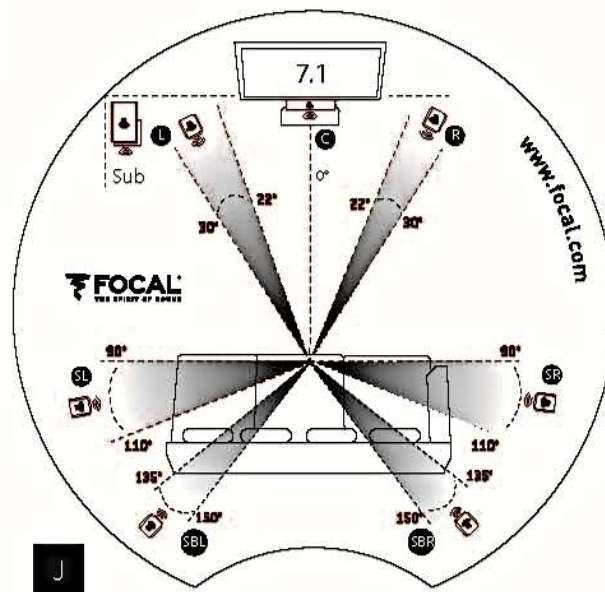
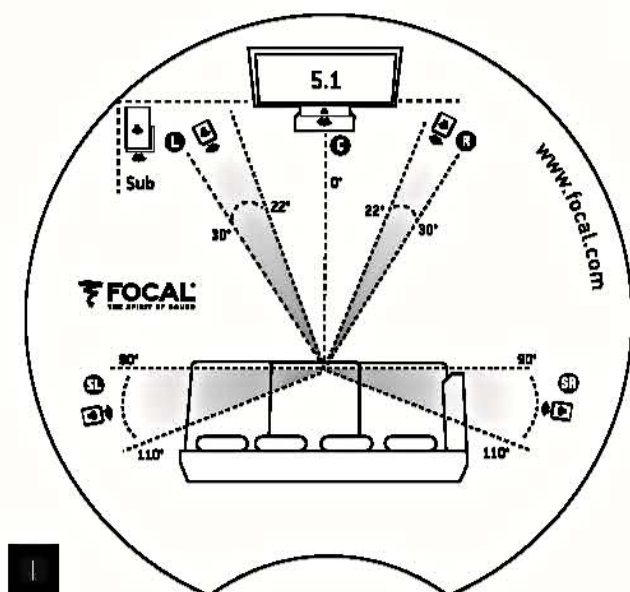
The aim is to apply basic rules to achieve sounds that are sufficiently diffused and difficult to locate.

Do not place surround speakers too far behind the listening point, as this will lead to degraded sound perception from them. Aim for placement along the side walls for more enveloping sound effects *(figs. I, J)*

Loudspeakers placement

- Position yourself in your normal listening point.
- Place the diagram below facing your screen
- It shows you the best locations for your satellite speakers.

To the screen



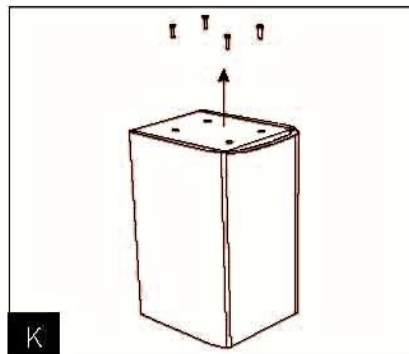
ARIA 900® SERIE

User manual

10

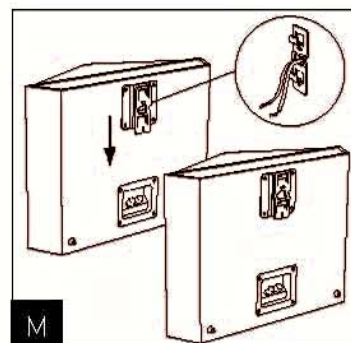
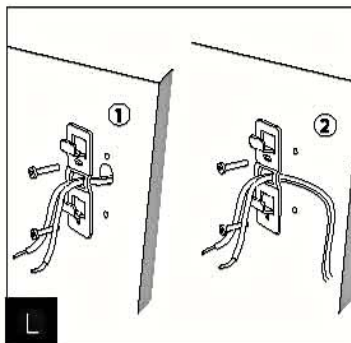
Attaching the bookshelf speaker to a stand

Firstly turn the cabinet over so that it is resting on its top (on the packaging padding), taking care not to damage the cabinet-work, glass top-plate or speaker cones when carrying out this operation. Remove the four screws located on the base of the loudspeaker *[fig. K]*, then place the stand on the base of the loudspeaker. Secure the loudspeaker the four screws provided with the stand. *[see instructions manual of Focal stand S900]*.



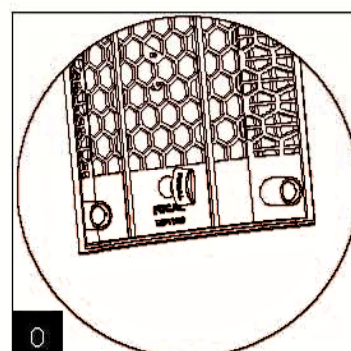
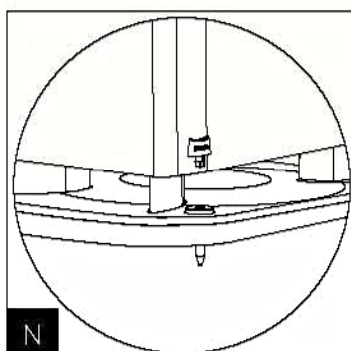
Surround mounting with Polyfix wall bracket (SR900)

- Place the wall rest on to the wall and drill. Use only plugs fitting your wall material.
- If the loudspeaker cable is embedded in the wall, guide it through the wall mounted bracket's opening as indicated.
- If the loudspeaker cable is fixed to the wall, slide it under the wall mounted bracket as indicated.
- Guide the loudspeaker cable through the Polyfix plate as indicated.
- Clip the plate on the loudspeaker to the wall mounted bracket as indicated *[fig. L, M]*.



Accessories

Aria 900 floorstanding speakers are fitted with spikes on their metal plinth. These can be adjusted in height using the tool provided. After use, this tool is stored behind the loudspeaker protection grille *[fig. N, O]*.



ARIA 900® SERIE

User manual

11

Precautions for use

The TNF tweeter uses a relatively flexible aluminium/magnesium alloy, with a "shape memory" enabling it to withstand the majority of small impacts in the home. Nevertheless, we recommend leaving the fabric grilles in place to protect the dome. If the dome surface is marked this could have an impact on the tweeter.

Cleaning instructions

The only maintenance required for the Aria 900 is dusting with a dry cloth. If the cabinet becomes marked, we recommend simply using a damp cloth. The glass top-plate can be cleaned using a soft cloth and a standard glass cleaning product.

Never use solvents, detergents, alcohol-based or corrosive products, scrapers or scourers to clean the loudspeaker surface.

Keep the loudspeakers away from sources of heat.

Choice of amplifier

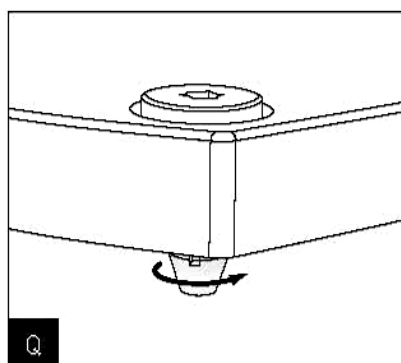
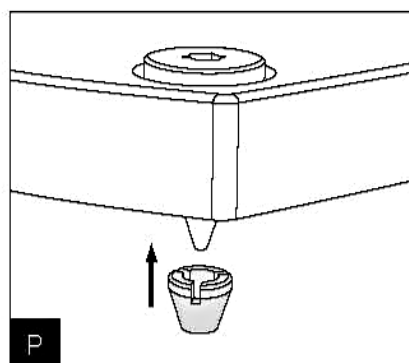
It is not an excess of amplifier power that can damage your loudspeakers and drivers but a lack of power. Moreover, if the volume is turned too high, the amplifier saturates and generates parasite signals that may destroy the tweeter.

The dynamic capacity and definition of Aria 900 loudspeakers are sufficient to show up the strengths and weaknesses of whatever amplifier is connected. Your retailer will be able to guide your choice, to suit your tastes and budget.

Choosing cables

Choose good quality cables with a cross-section appropriate to their length: your retailer will be able to advise you.

Fitting spike protectors



ARIA 900® SERIE

User manual

12

Specifications

	ARIA 905	ARIA 906	ARIA 926	ARIA 936
Type	Two-way bass-reflex bookshelf loudspeaker	Two-way bass-reflex bookshelf loudspeaker	Three-way bass-reflex floor standing loudspeaker	Three-way bass-reflex floor standing loudspeaker
Drivers	5" (13cm) Flax bass-midrange	6 1/2" (16.5cm) Flax bass-midrange	2 x 6 1/2" (16.5cm) Flax bass	3 x 6 1/2" (16.5cm) Flax bass
			6 1/2" (16.5cm) Flax midrange	6 1/2" (16.5cm) Flax midrange
	1" (25mm) Al/Mg TNF inverted dome tweeter	1" (25mm) Al/Mg TNF inverted dome tweeter	1" (25mm) Al/Mg TNF inverted dome tweeter	1" (25mm) Al/Mg TNF inverted dome tweeter
Frequency response (±3dB)	60Hz - 28kHz	55Hz - 28kHz	45Hz - 28kHz	39Hz - 28kHz
Low frequency point - 6 dB	52Hz	47Hz	37Hz	32Hz
Sensibility (2.83V/1m)	89dB	89.5dB	91.5dB	92dB
Nominal impedance	8 Ohms	8 Ohms	8 Ohms	8 Ohms
Minimum impedance	4 Ohms	4.6 Ohms	2.9 Ohms	2.8 Ohms
Recomanded amplifier power	25 - 100W	25 - 120W	40 - 250W	50 - 300W
Crossover frequency	2 500Hz	2 800Hz	290Hz / 2400Hz	260Hz / 3100Hz
Dimensions (HxWxD)	13 ^{5/32} x 8 ^{11/32} x 9 ^{41/64} " (334x212x245mm)	15 ^{3/8} x 8 ^{7/8} x 11" (390x225x280mm)	40 ^{3/4} x 11 ^{3/6} x 14 ^{5/8} " (1035x294x371mm)	45 ^{1/4} x 11 ^{9/6} x 14 ^{5/8} " (1150x294x371mm)
Net Weight (unit)	13lbs (5.8 kg)	19lbs (8.5 kg)	55lbs (25kg)	64lbs (29kg)

ARIA 900® SERIE

User manual

	ARIA 948	ARIA CC 900	ARIA SR 900
Type	Three-way bass-reflex floor standing loudspeaker	Two-way bass-reflex center loudspeaker	Two-way sealed bipolar surround loudspeaker.
Drivers	2 x 8" (21cm) Flax bass	2 x 6 ¹ / ₂ " (16.5cm) Flax bass midrange	2 x 5" (13cm) Flax bass-midrange
	6 ¹ / ₂ " (16.5cm) Flax midrange		
	1" (25mm) Al/Mg TNF inverted dome tweeter	1" (25mm) Al/Mg TNF inverted dome tweeter	2x1" (25mm) Al/Mg TNF inverted dome tweeter
Frequency response (±3dB)	37Hz - 28kHz	57Hz - 28kHz	85Hz - 28kHz
Low frequency point - 6 dB	31Hz	50Hz	67Hz
Sensibility (2.83V/1m)	92.5dB	91dB	90dB
Nominal impedance	8 Ohms	8 Ohms	8 Ohms
Minimum impedance	2.5 Ohms	4.3 Ohms	3.6 Ohms
Recommended amplifier power	50 - 350W	40 - 200W	25 - 120W
Crossover frequency	280Hz / 2600Hz	2800Hz	2200Hz
Dimensions (HxWxD)	45 ¹ / ₄ x 14 ⁵ / ₈ x 16 ⁹ / ₁₆ " (1150x371x420mm)	7 ⁷ / ₈ x 20 ⁶³ / ₆₄ x 9 ⁵ / ₈ " (200x533x245mm)	11 ³⁹ / ₆₄ x 15 ³ / ₄ x 6 ¹¹ / ₁₆ " (295x400x170mm)
Net Weight (unit)	77lbs (35kg)	23lbs (10.5kg)	12lbs (5.6kg)

Conditions of warranty

Please contact your Focal dealer if you encounter any problems.

The guarantee for France on all Focal products is 2 years, non-transferable if the product is re-sold, from the date of purchase. In the case of defective equipment, the equipment must be shipped at your expense in its original packaging to the dealer who will test the equipment in order to determine the nature of the fault. If the product is still under warranty, the product will be returned to you or replaced, shipping pre-paid. If the product is not under guarantee, you will be given a repair estimate.

The warranty does not cover damage resulting from improper use or incorrect wiring (e.g. burnt out moving coils, etc.) Outside of France, Focal products are covered by a warranty whose conditions are determined locally by the official Focal-JMLab dealer in each country, in compliance with the laws in force in the respective territory.



Your Focal-JMLab product was developed and manufactured with high-quality materials and components which can be recycled and/or re-used. This symbol indicates that electrical and electronic equipment must be disposed of separately from normal garbage at the end of its operational lifetime. Please dispose of this product by bringing it to your local collection point or recycling centre for such equipment. This will help to protect the environment in which we all live.

SERIE ARIA 900®

Manuel d'utilisation

Français

Période de rodage

Les haut-parleurs utilisés dans les enceintes de la gamme Aria 900 sont des éléments mécaniques complexes qui exigent une période d'adaptation pour fonctionner au mieux de leurs possibilités et s'adapter aux conditions de température et d'humidité de votre environnement. Cette période de rodage varie selon les conditions rencontrées et peut se prolonger sur quelques semaines. Pour accélérer cette opération, nous vous conseillons de faire fonctionner vos enceintes une vingtaine d'heures consécutives. Une fois les caractéristiques de l'enceinte totalement stabilisées, vous pourrez profiter intégralement des performances de vos enceintes Aria 900.

Contenu du carton :

- 1 enceinte (905, 906 ; 2 enceintes)
- 1 manuel utilisateur
- 1 chiffon de nettoyage (finition Black High Gloss)
- 1 clé pour ajustement des pointes (926, 936, 948)
- 1 socle en alliage d'aluminium (926, 936, 948)
- 4 vis + clé Allen (926, 936, 948)
- 1 kit de fixation mural Polyfix (SR900)

Pour validation de la garantie Focal-JMLab, merci de nous retourner la garantie jointe dans les 10 jours.

Caractéristiques

Tweeter TNF à dôme inversé® en alliage Aluminium / Magnésium : le tweeter développé pour les produits de la gamme Aria 900 utilise la technologie du dôme inversé exclusive à Focal, permettant un transfert optimal de l'énergie et une directivité limitée. L'alliage Aluminium / Magnésium du dôme garantit des performances exceptionnelles en matière de rigidité et d'amortissement. Les propriétés mécaniques de la nouvelle suspension en Poron, un polymère d'uréthane micro cellulaire à cellules ouvertes, apportent de nombreux avantages : excellente stabilité dimensionnelle, pas de dégradation dans le temps. Le bénéfice du Poron sur ce tweeter est évident en termes de linéarité et de baisse de la distorsion. Il en résulte un son plus soyeux et précis, avec une plus grande richesse harmonique. Le support du tweeter intègre un guide d'ondes qui maximise la directivité horizontale et minimise les diffractions.

Haut-parleurs de grave et médium à membrane Flax (Lin)® : toutes les membranes des haut-parleurs de la gamme Aria sont fabriquées avec la technologie sandwich Flax. Le Flax (Lin)® est un écotextile aux propriétés structurelles étonnantes : léger, rigide et bien amorti, pour une plus grande neutralité des timbres et une meilleure définition.

Grille de protection à attache magnétique : facilité de mise en place, design plus moderne.

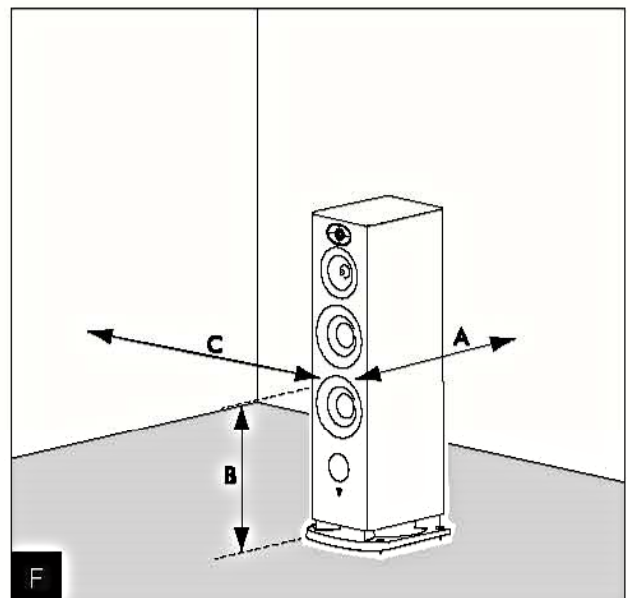
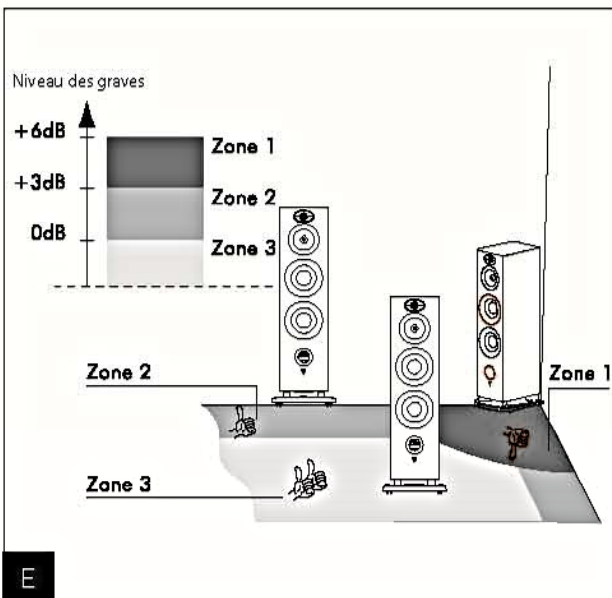
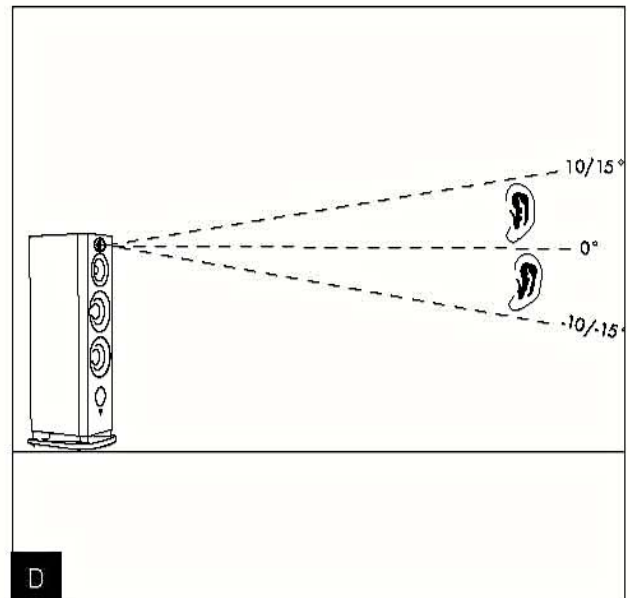
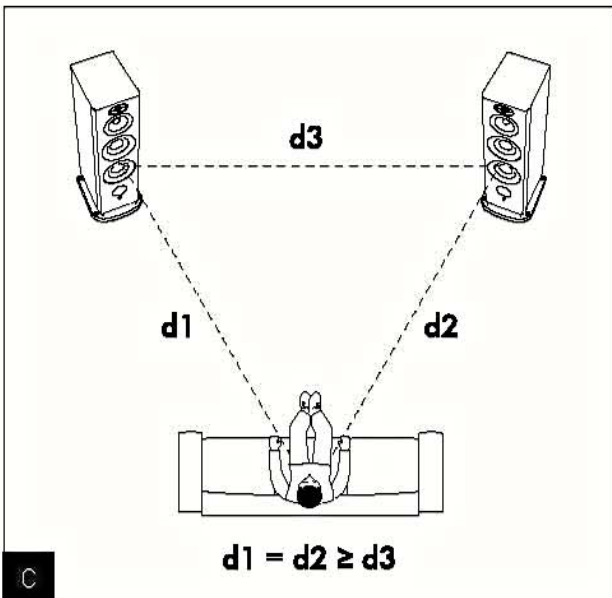
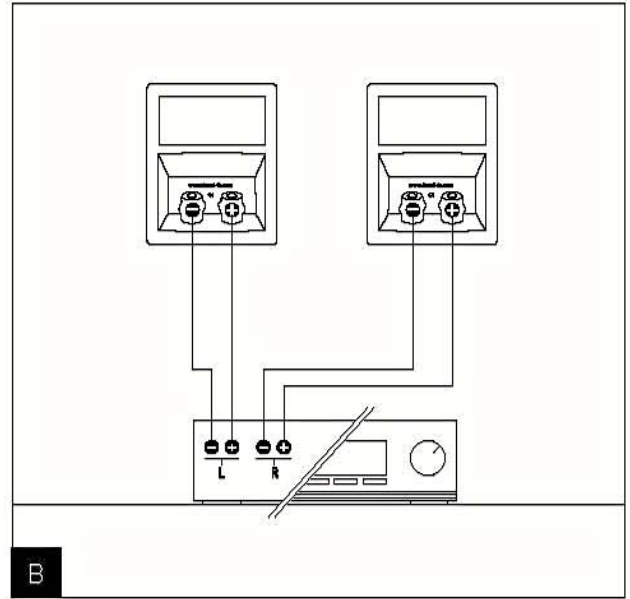
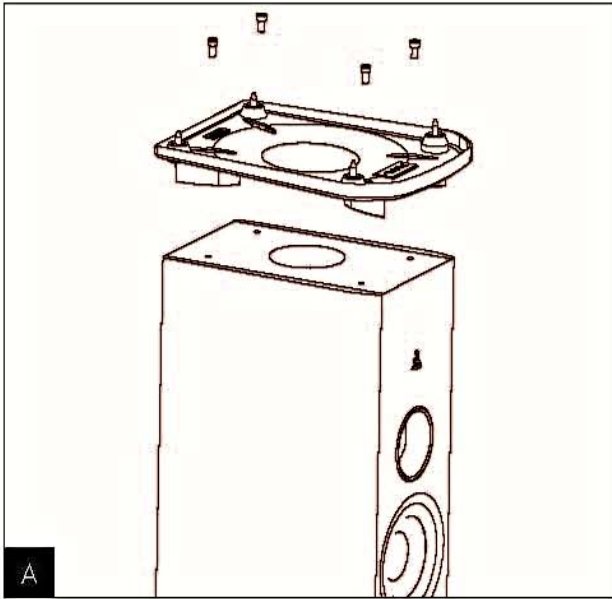
Système Powerflow : vitesse de l'air dans les événements divisée par deux par rapport à la technologie traditionnelle. Pas de compression dynamique dans le grave.

Évent profilé : grave puissant sans distorsion.

Quate acoustique haute efficacité : excellent amortissement interne, grave tenu et plus profond.

Connexions des câbles fiables et polyvalentes, couple de serrage élevé.

Pointes de découplage fournies.



SERIE ARIA 900®

Manuel d'utilisation

16

Fixation de la base avec l'enceinte (926, 936, 948)

Pour fixer la base à l'enceinte, retournez tout d'abord l'enceinte en la faisant reposer sur sa partie supérieure (posée sur la cale d'emballage) et en prenant soin de ne pas endommager l'ébénisterie/plaque de verre ou les haut-parleurs pendant l'opération. Posez la base sur l'enceinte et mettez en position les 4 vis fournies. Serrez à l'aide de la clé Allen *(fig. A)*.

Branchements

Les connecteurs des Aria 900 assurent des contacts fiables et polyvalents, pour câbles dénudés (jusqu'à 4 mm de diamètre) ou des fourches. Les bornes bananes sont obstruées pour être en conformité avec les normes électriques et de raccordement en vigueur dans certains pays. Ne pas retirer les opercules en plastique.

Il est impératif de respecter la polarité des enceintes. Le connecteur marqué "+" doit être connecté sur la sortie correspondante de l'amplificateur, le connecteur marqué "-", sur la borne négative *(fig. B)*. Si cette condition n'est pas respectée, l'image stéréo et la perception du grave se dégraderont considérablement.

Choix de l'emplacement

Vos enceintes Aria 900 ont été étudiées pour restituer le plus fidèlement possible toutes les formes de musiques ou programmes Home Cinéma. Il convient toutefois d'observer quelques règles simples pour optimiser leurs performances, garantir un bon équilibre tonal et une image sonore réaliste.

Les enceintes devront être placées de façon symétrique face à la zone d'écoute, de manière à former idéalement un triangle équilatéral avec celle-ci. Il est néanmoins possible de faire varier ces distances pour trouver le compromis idéal en fonction des conditions d'aménagement particulières *(fig. C)*.

Les enceintes devront être placées à la même hauteur sur un même plan horizontal. Idéalement, le tweeter sera placé au niveau des oreilles de l'auditeur au point d'écoute habituel *(fig. D)*.

Ne placez pas les enceintes trop près d'un angle de la pièce et évitez de trop les rapprocher d'un mur. Ceci aura pour effet d'exciter certaines résonances du local et d'augmenter artificiellement le niveau du grave. A contrario, si le niveau de grave est jugé insuffisant, on pourra tenter de rapprocher les enceintes des murs pour rééquilibrer le niveau de grave *(fig. E)*.

Optimisation

Pour les perfectionnistes, nous donnerons une formule de positionnement optimal :

Si **A** est la distance du centre du boomer à la paroi la plus proche (sol ou mur), **B** la distance intermédiaire et **C** la distance la plus grande ($A < B < C$), la relation $B^2 = AC$ définit la position idéale de l'enceinte.

• Exemple :

Si le centre du boomer est éloigné du mur arrière de 50 cm (A) et à 60 cm du sol (B), alors le mur latéral sera idéalement à 72 cm ($C = B^2/A = 72 \text{ cm}$) *(fig. F)*.

Conseils d'utilisation

Le comportement des enceintes Aria 900 dépend de l'acoustique du local d'écoute, du bon positionnement des enceintes dans celui-ci et de l'emplacement de l'auditeur. Il est possible d'interagir sur ces éléments pour corriger ou améliorer un effet recherché.

La perception stéréophonique est imprécise et mal centrée : essayez de rapprocher les enceintes l'une de l'autre et/ou orientez-les vers le point d'écoute.

Le son est dur, agressif : l'acoustique de votre local est probablement trop réverbérante. Envisagez l'utilisation de matériaux absorbants (tapis, canapé, tentures murales, rideau...) et réfléchissants (meublier) pour absorber ou diffuser les résonances.

Le son est "plat", étouffé : excès de matériaux absorbants dans la pièce, le son est bouché, sans relief. Recherchez un meilleur compromis entre les matériaux absorbants et réfléchissants de votre intérieur.

D'une manière générale, on cherchera à ce que le mur placé derrière les enceintes soit de nature réfléchissante pour que le son se développe correctement. À l'inverse, le mur placé derrière la zone d'écoute sera idéalement absorbant pour éviter que des réflexions arrière ne viennent "polluer" la perception de l'image stéréophonique. Le mobilier pourra être placé judicieusement sur les murs latéraux pour diffuser les ondes sonores afin d'éviter d'exciter certaines zones de fréquences notamment dans le médium (suppression du "flutter écho").

SERIE ARIA 900®

Manuel d'utilisation

17

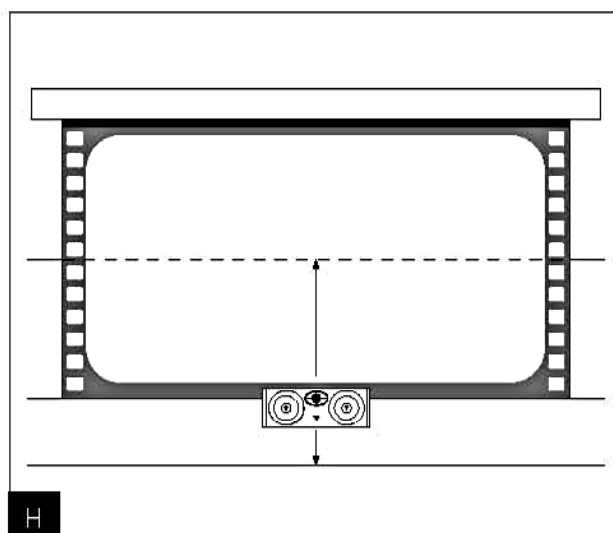
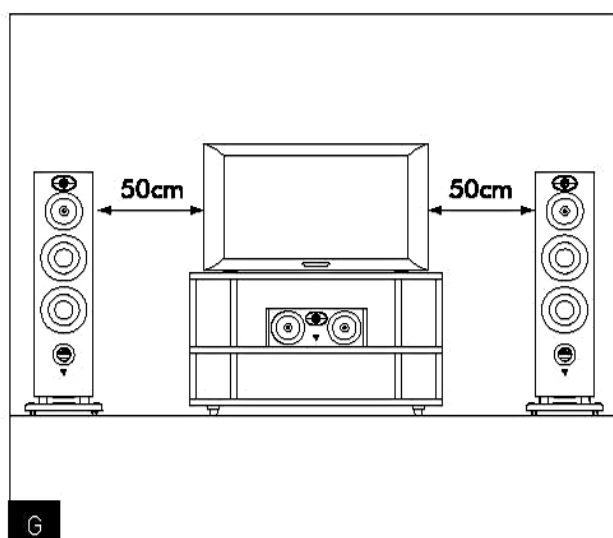
Choix des enceintes

Les enceintes Aria 900 ont été mises au point pour fonctionner en stéréo comme en Home Cinéma. Si vous possédez déjà des enceintes Aria 900 à l'avant et désirez évoluer vers le Home Cinéma, il est capital d'utiliser une enceinte centrale et des enceintes surround Aria 900. Il s'agit de la seule solution envisageable pour vous garantir une parfaite concordance de timbres et une répartition à la fois réaliste et cohérente des effets tridimensionnels dans la pièce.

Placement de l'enceinte centrale

L'enceinte centrale doit être placée à proximité de l'écran pour une restitution réaliste des dialogues. Elle peut être placée sous le téléviseur si le meuble TV le permet *(fig. G)*.

Si un écran de projection standard est utilisé, l'enceinte centrale devra être placée au pied de l'écran pour des résultats optimaux. Si un écran micro perforé est utilisé, elle pourra alors être placée derrière l'écran, vers la moitié basse de celui-ci *(fig. H)*.



SERIE ARIA 900®

Manuel d'utilisation

Placement des enceintes surround

La complexité des bandes sonores des films, tout particulièrement celles qui sont mixées en 5.1 ou 7.1 permet aujourd'hui d'obtenir une très grande diversité d'effets surround. Le choix du placement des enceintes surround est donc déterminant pour l'obtention d'un espace tridimensionnel réaliste.

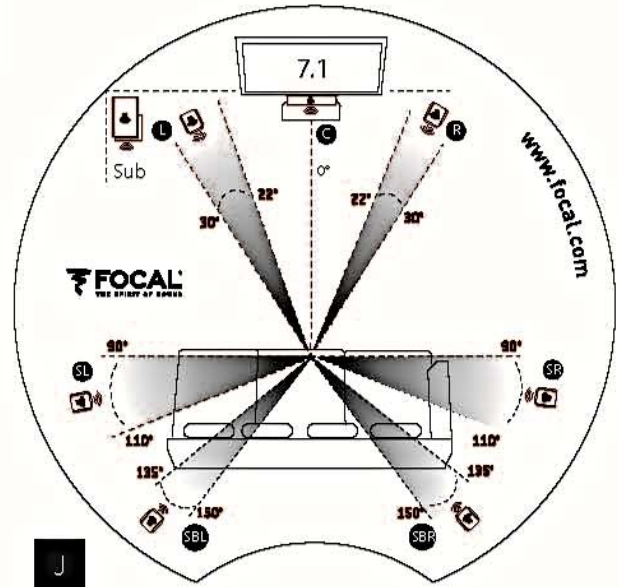
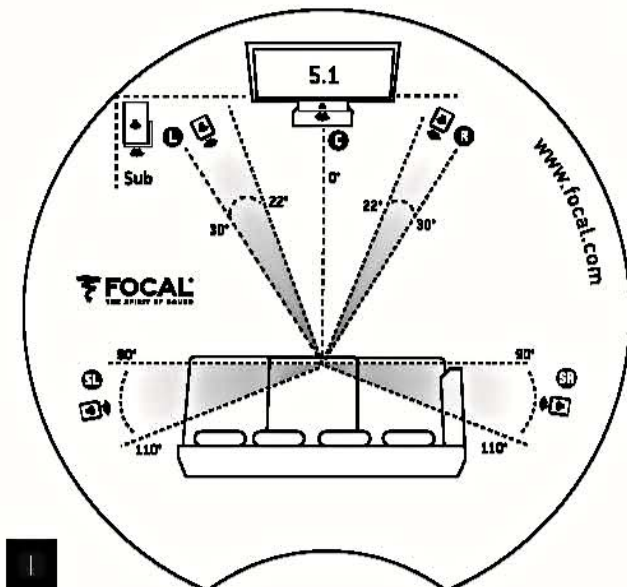
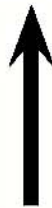
L'objectif visé est d'obtenir des sons suffisamment diffus et difficiles à localiser par l'application de quelques règles de base.

Évitez de placer les enceintes surround trop en arrière de la zone d'écoute, car la perception s'en trouvera dégradée. Privilégiez un placement sur les murs latéraux pour obtenir des effets sonores plus enveloppants (fig. I, J).

Emplacement des satellites

- Installez-vous à votre place d'écoute
- Positionnez l'outil ci-dessous face à votre écran
- Il vous donne le meilleur positionnement pour vos enceintes

Face à l'écran



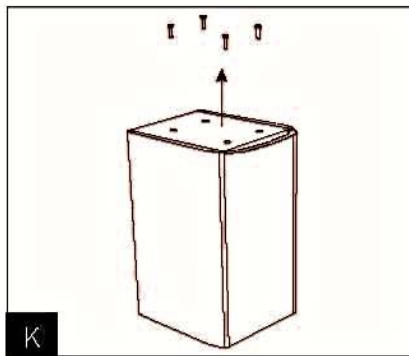
SERIE ARIA 900®

Manuel d'utilisation

19

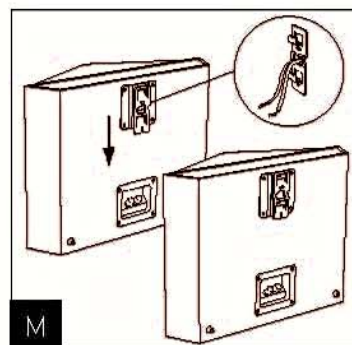
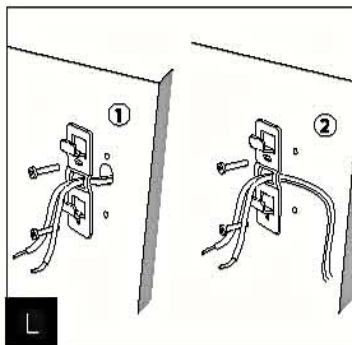
Fixation de l'enceinte bibliothèque sur le pied

Retournez tout d'abord l'enceinte en la faisant reposer sur sa partie supérieure (posée sur la cale d'emballage) et en prenant soin de ne pas endommager l'ébénisterie/plaque de verre ou les haut-parleurs pendant l'opération. Retirez les 4 vis qui sont situées sous l'enceinte **(fig. K)**, puis posez l'enceinte sur le pied. Fixez solidement l'enceinte sur son pied grâce aux vis fournies avec le pied (voir notice du pied Focal S900).



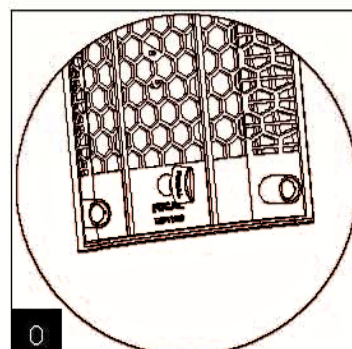
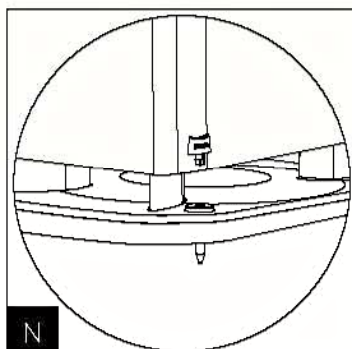
Fixation surround sur support Polyfix (SR 900)

- Positionnez le support mural sur la cloison et percez. N'utilisez que des chevilles de fixation adaptées à la nature de votre cloison.
- Si le câble haut-parleur est encastré dans la cloison, faites le passer par l'orifice du support mural comme indiqué.
- Si le câble est fixé contre la cloison, faites le passer sous le passage de câble du support comme indiqué.
- Faites passer le câble haut-parleur dans la plaque Polyfix comme indiqué.
- Clipez la plaque de l'enceinte sur le support mural comme indiqué **(fig. L, M)**.



Accessoires

Les colonnes Aria 900 intègrent les pointes dans le socle métallique. Elles sont réglables en hauteur au moyen de la clé fournie. Après utilisation, cette clé sera rangée derrière la grille de protection des haut-parleurs **(fig. N, O)**.



SERIE ARIA 900®

Manuel d'utilisation

Précautions d'utilisation

Le tweeter TNF utilise un alliage aluminium / magnésium relativement souple, possédant un effet de "mémoire de forme" pour le mettre à l'abri de la plupart des petits chocs domestiques. Néanmoins nous vous recommandons de laisser en place les grilles de protection en tissu pour mettre le dôme à l'abri. Si la surface du dôme est marquée, le tweeter pourrait être altéré.

Instructions de nettoyage

L'entretien des enceintes Aria 900 se limite à un dépoussiérage à l'aide d'un chiffon sec. Si l'enceinte est tâchée, nous vous recommandons simplement l'utilisation d'un chiffon humide. La plaque de verre du dessus pourra être nettoyée en utilisant un chiffon doux et un produit lave vitre classique.

Ne jamais utiliser de solvants, détergents, alcools ou produits corrosifs, grattoirs ou ustensiles récurants pour nettoyer la surface de l'enceinte.

Éviter la proximité d'une source de chaleur.

Choix de l'amplificateur

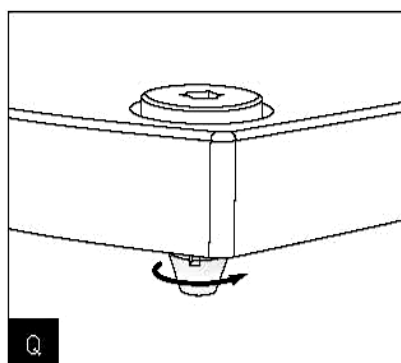
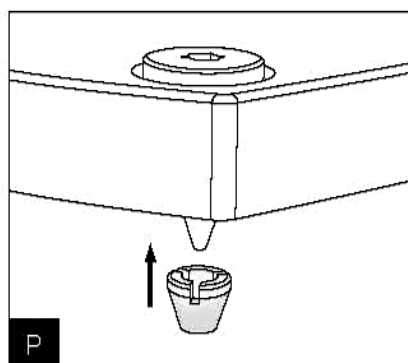
Ce n'est pas l'excès de puissance d'un amplificateur qui risque de détériorer l'enceinte et les haut-parleurs, mais au contraire un défaut de puissance. En effet si le volume est trop élevé, l'amplificateur sature et génère des signaux parasites qui risquent de détruire le tweeter.

La capacité dynamique et la définition des enceintes Aria 900 sont suffisamment élevées pour mettre en évidence les qualités et défauts des amplificateurs qui leur seront associés. Votre revendeur saura aiguiller votre choix, en fonction de vos goûts et de votre budget.

Choix des câbles

Choisissez des câbles de qualité de section appropriée à la longueur : votre revendeur saura vous conseiller.

Mise en place des embouts de protection sur les pointes



SERIE ARIA 900®

Manuel d'utilisation

21

Caractéristiques

	ARIA 905	ARIA 906	ARIA 926	ARIA 936
Type	Bibliothèque 2 voies Bass-reflex	Bibliothèque 2 voies Bass reflex	Colonne 3 voies Bass-reflex	Colonne 3 voies Bass-reflex
Haut-parleurs	Grave / Médium Flax 13 cm	Grave / Médium Flax 16,5 cm	2 x Grave Flax 16,5 cm	3 x Grave Flax 16,5 cm
			Médium Flax 16,5 cm	Médium Flax 16,5 cm
	Tweeter TNF à dôme inversé Al/Mg 25 mm	Tweeter TNF à dôme inversé Al/Mg 25mm	Tweeter TNF à dôme inversé Al/Mg 25 mm	Tweeter TNF à dôme inversé Al/Mg 25 mm
Réponse en fréquence (±3 dB)	60 Hz - 28 kHz	55 Hz - 28 kHz	45 Hz - 28 kHz	39 Hz - 28 kHz
Réponse à - 6 dB	52 Hz	47 Hz	37 Hz	32 Hz
Sensibilité (2,83V/1m)	89 dB	89,5 dB	91,5 dB	92 dB
Impédance nominale	8 Ohms	8 Ohms	8 Ohms	8 Ohms
Impédance minimum	4 Ohms	4,6 Ohms	2,9 Ohms	2,8 Ohms
Puissance ampli recommandée	25 - 100 W	25 - 120 W	40 - 250 W	50 - 300 W
Fréquence de filtrage	2500 Hz	2800 Hz	290 Hz / 2400 Hz	260 Hz / 3100 Hz
Dimensions (H x L x P)	334 x 212 x 245 mm	390 x 225 x 280 mm	1035 x 294 x 371 mm	1150 x 294 x 371 mm
Poids (unité)	5,8 kg	8,5 kg	25 kg	29 kg

SERIE ARIA 900®

Manuel d'utilisation

22

	ARIA 948	ARIA CC900	ARIA SR900
Type	Colonne 3 voies Bass-reflex	Centrale 2 voies Bass-reflex	Surround bipolaire 2 voies close
Haut-parleurs	2 x Grave Flax 21 cm	2 x Grave / Médium Flax 16,5 cm	2 x Grave / Médium Flax 13 cm
	Médium Flax 16,5 cm		
	Tweeter TNF à dôme inversé Al/Mg 25 mm	Tweeter TNF à dôme inversé Al/Mg 25 mm	2 x Tweeter TNF à dôme inversé 25 mm
Réponse en fréquence (±3 dB)	37 Hz - 28 kHz	57 Hz - 28 kHz	85 Hz - 28 Hz
Réponse à - 6 dB	31 Hz	50 Hz	67 Hz
Sensibilité (2,83V/1 m)	92,5 dB	91 dB	90 dB
Impédance nominale	8 Ohms	8 Ohms	8 Ohms
Impédance minimum	2,5 Ohms	4,3 Ohms	3,6 Ohms
Puissance ampli recommandée	50 - 350 W	40 - 200 W	25 - 120 W
Fréquence de filtrage	280 Hz / 2 600 Hz	2800 Hz	2200 Hz
Dimensions (H x L x P)	1150 x 371 x 420 mm	200 x 533 x 245 mm	295 x 400 x 170 mm
Poids (unité)	35 kg	10,5 kg	5,6 kg

Conditions de garantie

En cas de problème, adressez-vous à votre revendeur Focal.

La garantie pour la France sur tout matériel Focal est de 2 ans, non transmissible en cas de revente, à partir de la date d'achat. En cas de matériel défectueux, celui-ci doit être expédié à vos frais, dans son emballage d'origine auprès du revendeur, lequel analysera le matériel et déterminera la nature de la panne. Si celui-ci est sous garantie, le matériel vous sera rendu ou remplacé en "franco de port". Dans le cas contraire, un devis de réparation vous sera proposé.

La garantie ne couvre pas les dommages résultant d'une mauvaise utilisation ou d'un branchement incorrect (bobines mobiles brûlées par exemple...).

En dehors de la France, le matériel Focal est couvert par une garantie dont les conditions sont fixées localement par le distributeur officiel Focal-JMLab de chaque pays, en accord avec les lois en vigueur sur le territoire concerné.



Votre produit Focal-JMLab a été conçu et fabriqué avec des matériaux et composants de haute qualité, susceptibles d'être recyclés et réutilisés. Ce symbole signifie que les appareils électriques et électroniques, lorsqu'ils sont arrivés en fin de vie, doivent être éliminés séparément des ordures ménagères. Veuillez rapporter cet appareil à la déchetterie communale ou à un centre de recyclage. Vous contribuez ainsi à la préservation de l'environnement.



Your Focal-JMlab product was developed and manufactured with high-quality materials and components which can be recycled and/or re-used. This symbol indicates that electrical and electronic equipment must be disposed of separately from normal garbage at the end of its operational lifetime. Please dispose of this product by bringing it to your local collection point or recycling centre for such equipment. This will help to protect the environment in which we all live.



Ihr Focal-JMlab-Produkt wurde mit hochwertigen Materialien und Komponenten entworfen und hergestellt, die recycelbar sind und wieder verwendet werden können. Dieses Symbol bedeutet, dass elektrische und elektronische Geräte am Ende ihrer Nutzungsdauer vom Hausmüll getrennt entsorgt werden müssen. Bitte entsorgen Sie dieses Gerät bei Ihrer örtlichen kommunalen Sammelstelle oder im Recycling Centre. Bitte helfen Sie mit, die Umwelt in der wir leben, zu erhalten.



Su producto Focal-JMlab ha sido concebido y fabricado con materiales y componentes de alta calidad, que pueden ser reciclados y reutilizados. Este símbolo significa que los aparatos eléctricos y electrónicos, al final de su vida útil, deberán ser separados de los residuos domésticos y reciclados. Rogamos llevar este aparato al punto de recogida de su municipio o a un centro de reciclaje. Por favor, contribuya Vd. también en la conservación del ambiente en que vivimos.



Il vostro prodotto Focal-JMlab è stato progettato e realizzato con materiali e componenti pregiati che possono essere riciclati e riutilizzati. Questo simbolo significa che gli apparecchi elettrici ed elettronici devono essere smaltiti separatamente dai rifiuti domestici alla fine del loro utilizzo. Vi preghiamo di smaltire questo apparecchio negli appositi punti di raccolta locali o nei centri preposti al riciclaggio. Contribuite anche voi a tutelare l'ambiente nel quale viviamo.



O seu produto Focal-Jmlab foi concebido e fabricado, utilizando materiais e componentes de alta qualidade que, podem ser reciclados e reutilizados. Este símbolo significa que, no fim da sua vida útil, equipamentos eléctricos e electrónicos devem ser eliminados separadamente dos resíduos sólidos domésticos. Por favor, entregue este equipamento ao respectivo ecoponto local ou comunal ou ao centro de reciclagem competente. Por favor, ajude-nos a preservar o meio ambiente em que vivemos.



Tämä Focal-JMlab-tuote on suunniteltu ja valmistettu korkealaatuisista materiaaleista ja komponenteista, joita voidaan kierrättää ja käyttää uudelleen. Tämä symboli tarkoittaa, että sähkölaitteet ja elektroniset laitteet tulee hävittää erillään kotitalousjätteestä, kun niitä ei enää käytetä. Jätä tämä laite paikkakuntasi kunnalliseen keräyspisteeseen tai kierrätyskeskukseen. Auta meitä säästämään luontoa, jossa elämme.



Продукция Focal-JMlab была разработана и произведена из материалов высокого качества, а также компонентов, которые могут быть переработаны и/или использованы повторно. Этот символ означает, что электрические и электронные части в конце эксплуатационного периода продукта должны быть утилизированы отдельно от бытового мусора. Пожалуйста, утилизируйте этот продукт в специально предназначенных и оборудованных для этого местах. Это поможет защитить окружающую среду, в которой мы все живем.



Uw Focal-JMlab-Product is ontworpen voor en gebouwd uit hoogwaardige materialen en componenten die gerecycled kunnen worden en dus geschikt zijn voor hergebruik. Dit symbool betekent, dat elektrische en elektronische apparatuur aan het einde van zijn levensduur gescheiden van het huisvuil apart moet worden ingeleverd. Breng dit apparaat naar een van de plaatselijke verzamelpunten of naar een kringloopwinkel. Help s.v.p. mee, het milieu waarin we leve te beschermen.



Teie Focal-JMlab toode on välja töötatud ning toodetud kõrgkvaliteetsest materjalist ning osades, mida on võimalik ümber töödelda ning/või korduvkasutada. Antud märgis näitab, et elektri- ja elektroonikaseadmeid peab nende kasutusaja lõppemisel kõrvaldama lahus muudest jäätmetest. Palun viige toode kõrvaldamiseks teie kohalikku jäätmete kogumiskohta või antud seadme ümbertöötamiskeskusesse. See aitab kaitsta meid ümbritsevat keskkonda.



Produkt Focal-JMlab został zaprojektowany i wykonany z materiałów i elementów wysokiej jakości, nadających się do recyklingu i ponownego wykorzystania. Symbol ten oznacza, że sprzęt elektryczny i elektroniczny należy utylizować po zakończeniu użytkowania odrębnie od odpadów domowych. Sprzęt należy utylizować w komunalnym punkcie zbiórki lub w punkcie recyklingu. Pomóżcie i Wy chronić środowisko, w którym żyjemy.



Deres Focal-JMlab-produkt er designet og fremstillet med materialer og komponenter af høj kvalitet, som kan recycles og genbruges. Dette symbol betyder, at elektriske og elektroniske apparater skal bortskaffes adskilt fra det almindelige husholdningsaffald, når de ikke længere bruges. Aflever dette apparat på Deres lokale kommunale genbrugsstation eller på genbrugscentret. Hjælp med at passe på det miljø, vi lever i.





Focal-JMlabs produkter har konstruerats och tillverkats av högkvalitativa material och komponenter som kan återvinnas och återanvändas. Symbolen innebär att uttjänade elektriska och elektroniska apparater måste tas om hand separerat från hushållsavfallet. Lämna apparaten på kommunens samlingsställen eller återvinningscentraler. Hjälp oss att skydda vår miljö.



Az Ön által vásárolt Focal-JMlab termék kiváló minőségű, újrahasznosítható és/vagy újra felhasználható anyagok és komponensek felhasználásával készült. Ez a szimbólum azt jelzi, hogy az elektromos és elektronikus készüléket a normális hulladéktól elkülönítetten kell kidobni, amikor élettartama végére ért. A termék kidobásakor kérjük, vigye azt a helyi gyűjtőponthoz, vagy az ilyen készülékek számára fenntartott újrahasznosító központba! Ezzel hozzájárulhat környezetünk megóvásához, amelyben mindannyian élünk.



Šis Focal-Jmlab produkts ir izstrādāts un ražots, izmantojot augstas kvalitātes materiālus un komponentus, kurus var otrreizēji pārstrādāt un/vai lietot atkārtoti. Šis simbols norāda, ka elektriskās un elektroniskās ierīces pēc to kalpošanas laika beigām jālikvidē atsevišķi no parastajiem atkritumiem. Lūdzu, likvidējiet šo produktu, tikai nododot vietejā savākšanas punktā vai pārstrādes centrā, kas paredzēti šādai teknikai. Šādi jūs palīdzēsiet aizsargāt vidi, kurā mēs visi dzīvojam.



Vaš Focal-JMlab proizvod je zasnovan in izdelan iz visoko kakovostnih materialov in komponent, ki so obnovljive in jih je mogoče ponovno uporabiti. Ta simbol pomeni, da je potrebno električne in elektronske naprave po izteku njihove uporabne dobe, odvesti ločeno od gospodinjskih odpadkov. Naprošamo vas, da napravo oddate na vašem lokalnem komunalnem zbirnem mestu ali v reciklažnem centru. Naprošamo vas za sodelovanje pri pomoči ohranjanja našega življenjskega prostora.



Váš výrobek Focal-JMlab byl navržen a vyroben z vysoce kvalitních materiálů a komponent, které lze recyklovat a znovu použít. Tento symbol znamená, že se elektrické a elektronické přístroje po uplynutí své životnosti musejí likvidovat odděleně od domácího odpadu. Odevzdejte proto prosím tento přístroj k likvidaci v místně příslušném komunálním sběrném dvoře nebo k recyklaci v příslušném recyklačním středisku. Pomozte nám prosím při ochraně životního prostředí.



Το Focal-JMlab προϊόν σας αναπτύχθηκε και κατασκευάστηκε με υψηλής ποιότητας υλικά και συστατικά τα οποία μπορούν να ανακυκλωθούν ή να ξαναχρησιμοποιηθούν. Αυτό το σύμβολο δηλώνει ότι οι ηλεκτρικές και ηλεκτρονικές συσκευές πρέπει να πετιούνται ξεχωριστά από τα κανονικά σας σκουπίδια στο τέλος του χρόνου λειτουργίας τους.

Παρακαλείστε να πετάτε αυτό το προϊόν με το να το φέρετε το οικείο σας σημείο ή κέντρο ανακύκλωσης για κάθε συσκευή. Αυτό θα σας βοηθήσει να προστατέψετε το περιβάλλον στο οποίο όλοι ζούμε.



Jūsų Focal-JMlab gaminys buvo sukurtas ir pagamintas panaudojant aukštos kokybės medžiagas ir komponentus, kuriuos galima perdirbti ir/arba panaudoti pakartotinai. Šis simbolis nurodo, kad elektroninius įtaisus, pasibaigus jų eksploatavimo laikotarpiui, reikia utilizuoti atskirai nuo įprastinių buitinių atliekų. Jeigu šio gaminio tarnavimo laikas baigėsi, tai prašome perduoti jį specialią atliekų surinkimo arba perdirbimo omonei. Tai padės apsaugoti aplinką, kurioje mes visi gyvename.



Váš výrobek Focal-JMlab bol navrhnutý a vyrobený z vysoko kvalitných materiálov a komponentov, ktoré je možné recyklovať a znovu použiť. Tento symbol znamená, že sa elektrické a elektronické prístroje po uplynutí svojej životnosti musia likvidovať oddelene od domáceho odpadu. Odovzdajte preto prosím tento prístroj k likvidácii v miestne príslušnom komunálnom zbernom dvore alebo k recyklácii v príslušnom recyklačnom stredisku. Pomôžte nám prosím pri ochrane životného prostredia.

Garantie France

Pour validation de la garantie Focal, merci de nous retourner cette page dans les 10 jours, à l'adresse suivante :

Focal-JMLab - BP 374 - 108, rue de l'Avenir - 42353 La Talaudière cedex - FRANCE

Il est maintenant possible d'enregistrer son produit en ligne : www.focal.com/garantie

Modèle : _____ N° de série : _____

Nom du revendeur : _____ Ville : _____

Date de l'achat : _____ Prix de l'achat : _____

Votre nom : _____ Âge : _____ Profession : _____

Votre adresse complète : _____

Votre adresse email : _____

Composition de votre installation (marque, modèle) :

■ iPod, iPad, iPhone® : _____ ■ Autre lecteurs de musique portable : _____

■ Tuner / Web Radio : _____ ■ DVD : _____

■ Blu Ray : _____ ■ CD / SACD : _____

■ Satellite / TNT : _____ ■ Ecran plat : _____

■ Amplificateur : _____ ■ Autres : _____

Votre choix pour l'achat de ce modèle Focal s'est fait en fonction de :

Conseil du revendeur Conseil d'amis, relation

Visite d'exposition, salon Article de presse

Ecoute en auditorium Possède déjà Focal

Fiabilité / Qualité Catalogues

Réputation Matériel Français

Garantie Rapport qualité / prix

Esthétique / Finition Autre _____

Son

En cas de renouvellement, quelles étaient vos précédentes enceintes acoustiques ? _____

Dîtes en quelques mots pourquoi vous avez choisi Focal... _____

Vos annotations éventuelles : _____

Nous garantissons la confidentialité de ces informations.

Dans un but d'évolution, Focal-JMLab se réserve le droit de modifier les spécifications techniques de ses produits sans préavis. Images non contractuelles.

International Guarantee

The Focal guarantee only applies if this page is returned to us within 10 days of purchase, to the following address:

Focal-JMLab - BP 374 - 108, rue de l'Avenir - 42353 La Talaudière cedex - FRANCE

Now it's possible to register on line : www.focal.com/warranty

Model: _____ Serial number: _____

Name of dealer: _____ Town: _____

Date of purchase: _____ Purchase price: _____

Your name: _____ Age: _____ Occupation: _____

Your complete address: _____

Your email address: _____

Details of your installation (brand, model):

■ iPod, iPad, iPhone®: _____ ■ Other music players: _____

■ Tuner / Web Radio: _____ ■ DVD: _____

■ Blu Ray: _____ ■ CD / SACD: _____

■ Satellite / TNT: _____ ■ Flat screen: _____

■ Amplifier: _____ ■ Others: _____

Your decision for purchasing this Focal model was made according to:

Dealer's advice Friend's advice

Visit to an exhibition, show Press article

Listening in auditorium Already own Focal products

Reliability / Quality Documentation

Reputation French produce

Guarantee Quality / Price ratio

Design / Finishes Other _____

Sound

In case of purchase of new equipment, what were your former speakers ? _____

Explain in a few words why you choose Focal... _____

Further comments: _____

The information given on this page will remain confidential.

Due to constant technological advances, Focal reserves its right to modify specifications without notice. Images may not conform exactly to specific product.



CE

Focal-JMlab® - BP 374 - 108, rue de l'Avenir - 42353 La Talaudière cedex - France - www.focal.com
Tel. (+33) 04 77 43 57 00 - Fax (+33) 04 77 43 57 04 - SCAB-140317/4 - codo1429